



**Electrolux**  
PROFESSIONAL

## Eco Preparation 1000 mm Sink with 1 Bowl - Left Drain

ITEM # \_\_\_\_\_

MODEL # \_\_\_\_\_

NAME # \_\_\_\_\_

SIS # \_\_\_\_\_

AIA # \_\_\_\_\_



132896 (SL10SN)

Sink Unit with 1 bowl left  
hand drainer  
400x500x250mm, 1000mm

### Short Form Specification

Item No. \_\_\_\_\_

Worktop in 304 AISI stainless steel with front edge h=50mm. Rear upstand h=100mm. N.1 bowl 400x500mm. Front and side covering panels in stainless steel. Rear panel in stainless steel. Square section legs 40x40mm in stainless steel with adjustable feet.

### Main Features

- Sturdiness, stability and reliability of table accurately tested.

### Construction

- Constructed entirely in stainless steel to offer maximum durability.
- Delivered in knock-down package.
- Wide range of taps are available to suit every need.
- Drainage area suitable for drying operations

### Optional Accessories

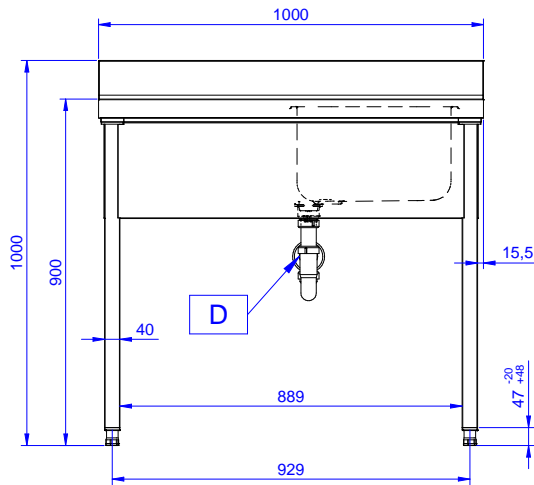
- Lower shelf for 1000 mm tables PNC 855144  and sinks and for 1600 mm undercounter dishwasher sinks
- Set of 4 wheels (2 with brake) PNC 855150  d. 100mm for tables and sinks (total height on wheels= 993 mm)
- 3-sided underframe for PNC 855151  1000mm tables
- Single plastic drain syphon 1,5 PNC 855306  " for work tables with bowl
- Elbow operated mixer tap with PNC 855322  spout 3/4", single hole
- Elbow operated mixer tap with PNC 855323  short spout 3/4", single hole
- Foot operated mixer tap (hot PNC 855328  and cold) with spout 3/4"

APPROVAL: \_\_\_\_\_

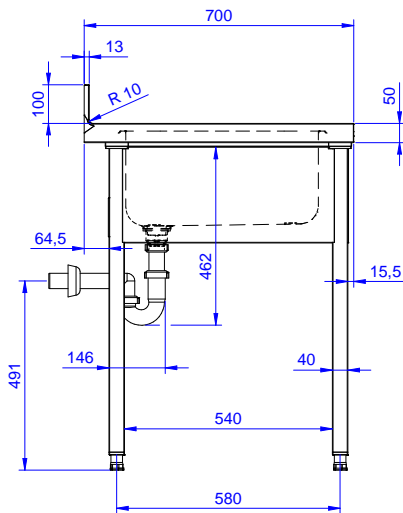


Experience the Excellence  
[www.electroluxprofessional.com](http://www.electroluxprofessional.com)

Front

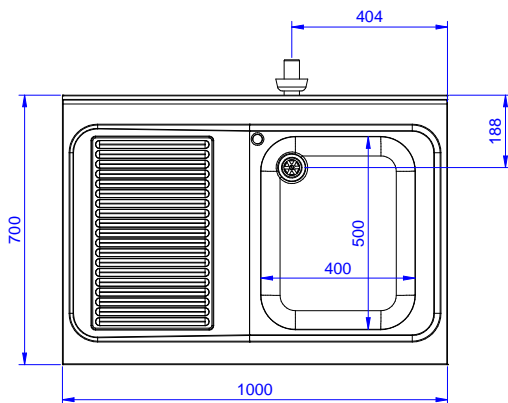


Side



D = Drain

Top


**Key Information:**

External dimensions, Width:	1000 mm
132896 (SL10SN)	
External dimensions, Depth:	700 mm
External dimensions, Height:	900 mm
Upstand Dimensions, Height:	100 mm
Upstand Dimensions, Depth:	13 mm
Upstand Dimensions, Radius:	R=10
Bowls number	1
Bowl dimensions	400X500XH250
Net weight:	40 kg